

STUDIO™ 60" x 30" ACRYLIC SHOWER BASE

- A8001L-LHO** Left Side Drain
- A8001L-RHO** Right Side Drain

Product Features:

- High gloss acrylic with fiberglass reinforcement
- Single threshold unit
- Integral 3-sided 1" tiling / water retention flange for easy installation
- Low 2-1/2" threshold for easy access
- Limited Lifetime warranty
- Drain not included

Nominal Dimensions:

60" x 30" x 2-1/2"
(1524 x 762 x 64mm)

Shower Base Includes:

- Brushed Stainless Steel drain plate

Compliance Certifications -

Meets or Exceeds the Following Specifications:

- CSA B45.5 / IAPMO Z124
- IAPMO R&T cUPC



A8001L-LHO



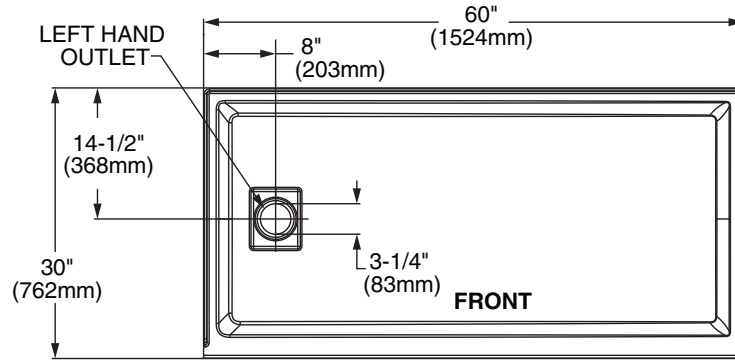
A8001L-RHO

SEE REVERSE SIDE FOR ROUGHING-IN DIMENSIONS

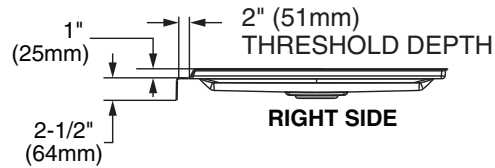
To Be Specified - Required:

- Color: (specify American Standard fixture color)

A8001L.LHO
Left Side Drain

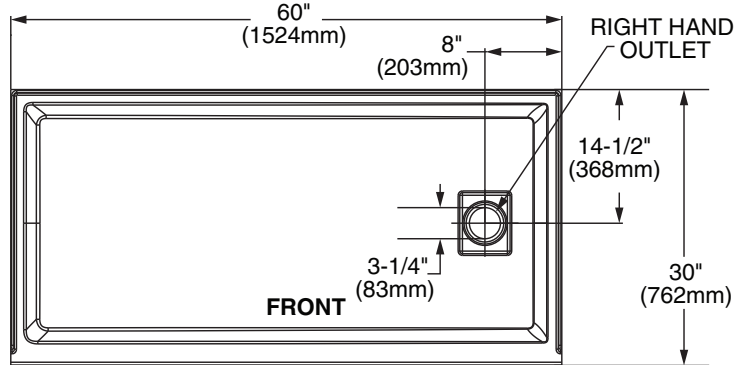


TOP VIEW

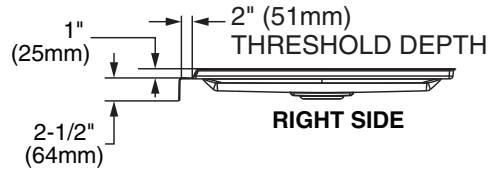


RIGHT SIDE

A8001L.RHO
Right Side Drain



TOP VIEW



RIGHT SIDE